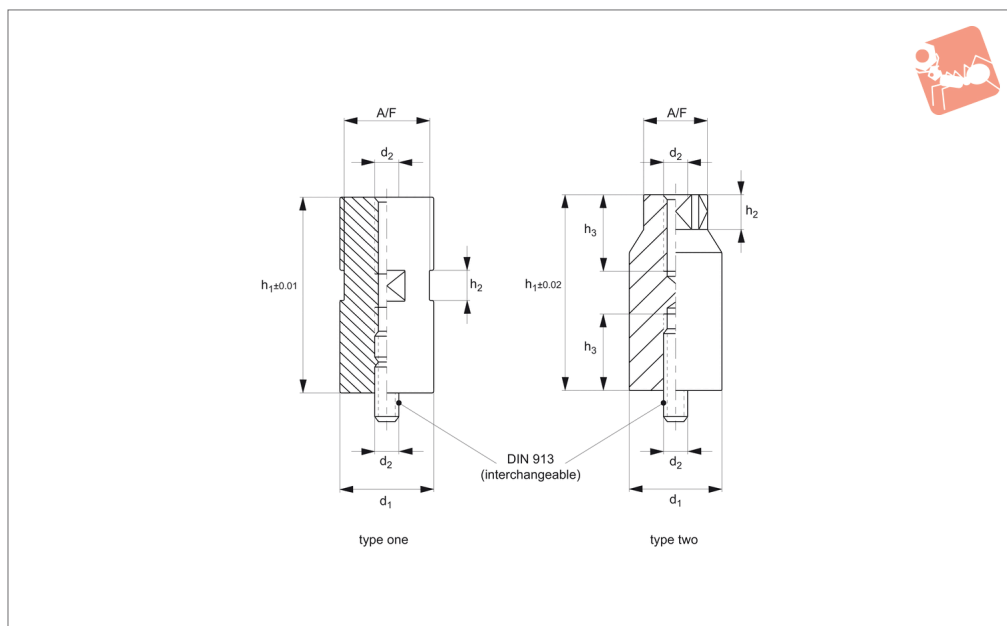




Height Adjusting Cylinders

for down thrust clamps 12603

Adjustable Vertical Clamps



12605

ADJUSTABLE VERTICAL CLAMPS

Material

Steel case-hardened, blackened and ground.

Technical Notes

Increase clamping height for down-thrust clamps, alternatively can be used as

general height setting and supporting elements.

Order No.	Type	d ₁ tol. h ₉	d ₂	h ₁ ±0.01	h ₂	h ₃	A/F	Weight g
12605.W0125	One	25	M 8	20	10	-	22	71
12605.W0126	One	25	M 8	40	20	-	22	139
12605.W0127	One	25	M 8	80	20	-	22	292
12605.W0140	One	40	M12	35	20	-	36	319
12605.W0141	One	40	M12	70	20	-	36	644
12605.W0142	One	40	M12	140	20	-	36	1325
12605.W0145	One	40	M16	35	20	-	36	318
12605.W0146	One	40	M16	70	20	-	36	634
12605.W0147	One	40	M16	140	20	-	36	1307
12605.W0160	One	60	M12	35	20	-	55	755
12605.W0161	One	60	M12	70	20	-	55	1460
12605.W0162	One	60	M12	140	20	-	55	3034
12605.W0165	One	60	M16	35	20	-	55	438
12605.W0166	One	60	M16	70	20	-	55	1493
12605.W0167	One	60	M16	140	20	-	55	3016
12605.W0241	One	70	M24	50	25	-	65	1310
12605.W0242	One	70	M24	100	25	-	65	2682
12605.W0243	Two	90	M24	200	35	50	65	8655
12605.W0244	Two	90	M24	300	35	50	65	13617

Adjustable Vertical Clamps



Height Adjusting Cylinders for down thrust clamps 12603



ADJUSTABLE VERTICAL CLAMPS

